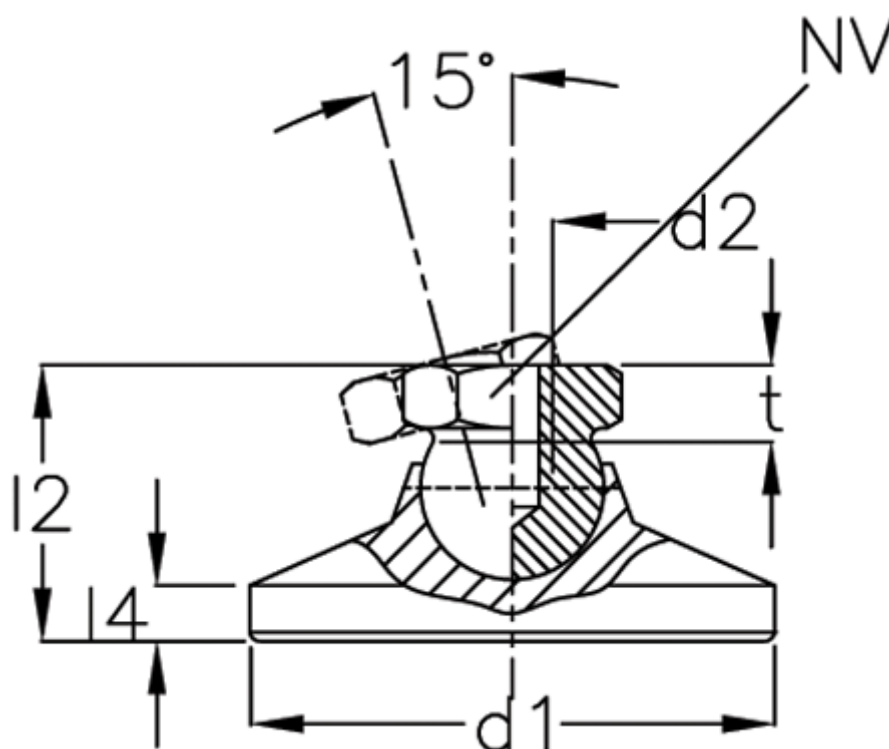


Data Sheet



Article number: 20343132M8KR
Description: E+G levelling foot
GN 343.1-32-M8-KR

Measures



| | |
|------------------|------|
| d1 | = 32 |
| d2 | = 8 |
| l2 | = - |
| l4 | = - |
| NV | = 12 |
| Static load (kN) | = 10 |
| t min | = 9 |